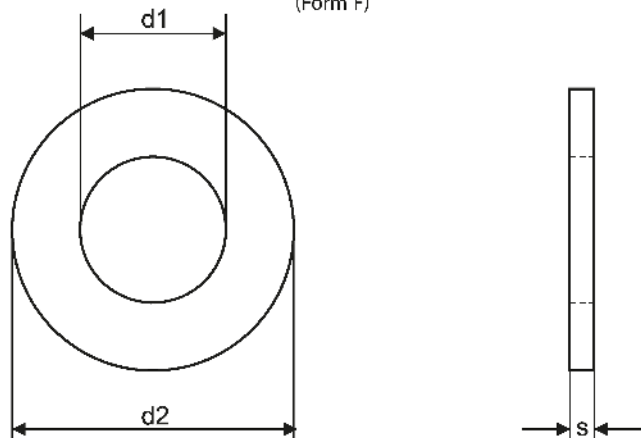


Table 4: Black washers - Large diameter series
(Form F)



BS 4320 Dimensions of washers (Forms F)

Nominal size of bolt or screw	Inside diameter d_1			Outside diameter d_2			Thickness s		
	nom.	max.	min.	nom.	max.	min.	nom.	max.	min.
M8	9.0	9.4	9.0	21.0	21.0	20.2	1.6	1.9	1.3
M10	11.0	11.5	11.0	24.0	24.0	23.2	2.0	2.3	1.7
M12	14.0	14.5	14.0	28.0	28.0	27.2	2.5	2.8	2.2
(M14)	16.0	16.5	16.0	30.0	30.0	29.2	2.5	2.8	2.2
M16	18.0	18.5	18.0	34.0	34.0	32.8	3.0	3.6	2.4
(M18)	20.0	20.6	20.0	37.0	37.0	35.8	3.0	3.6	2.4
M20	22.0	22.6	22.0	39.0	39.0	37.8	3.0	3.6	2.4
(M22)	24.0	24.6	24.0	44.00	44.0	42.8	3.0	3.6	2.4
M24	26.0	26.6	26.0	50.0	50.0	48.8	4.0	4.6	3.4
(M27)	30.0	30.6	30.0	56.0	56.0	54.5	4.0	4.6	3.4
M30	33.0	33.8	33.0	60.0	60.0	58.5	4.0	4.6	3.4
(M33)	36.0	36.8	36.0	66.0	66.0	64.5	5.0	6.0	4.0
M36	39.0	39.8	39.0	72.0	72.0	70.5	5.0	6.0	4.0
(M39)	42.0	42.8	42.0	77.0	77.0	75.5	6.0	7.0	5.0