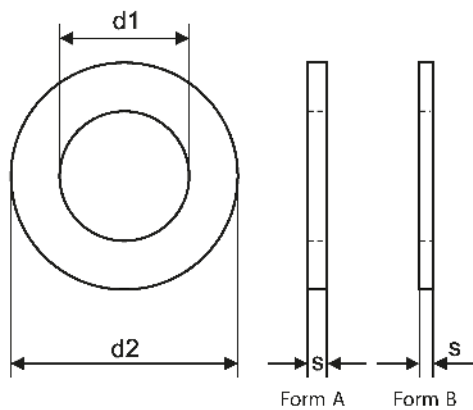


Plain Washers

BS 4320 Metric Series

Table 1: Bright Washers - Normal diameter series
(Forms A and B)



BS 4320 Dimensions of washers (Forms A and B)

Nominal size of bolt or screw	Inside diameter d_1			Outside diameter d_2			Thickness s					
							Form A (Normal range)			Form B (Normal range)		
	nom.	max.	min.	nom.	max.	min.	nom.	max.	min.	nom.	max.	min.
M3	3.2	3.4	3.2	7.0	7.0	6.7	0.5	0.6	0.4	-	-	-
M4	4.3	4.5	4.3	9.0	9.0	8.7	0.8	0.9	0.7	-	-	-
M5	5.3	5.5	5.3	10.0	10.0	9.7	1.0	1.1	0.9	-	-	-
M6	6.4	6.7	6.4	12.5	12.5	12.1	1.6	1.8	1.4	0.8	0.9	0.7
M8	8.4	8.7	8.4	17.0	17.0	16.6	1.6	1.8	1.4	1.0	1.1	0.9
M10	10.5	10.9	10.5	21.0	21.0	20.5	2.0	2.2	1.8	1.25	1.45	1.05
M12	13.0	13.4	13.0	24.0	24.0	23.5	2.5	2.7	2.3	1.6	1.8	1.4
(M14)	15.0	15.4	15.0	28.0	28.0	27.5	2.5	2.7	2.3	1.6	1.8	1.4
M16	17.0	17.4	17.0	30.0	30.0	29.5	3.0	3.3	2.7	2.0	2.2	1.8
(M18)	19.0	19.5	19.0	34.0	34.0	33.2	3.0	3.3	2.7	2.0	2.2	1.8
M20	21.0	21.5	21.0	37.0	37.0	36.2	3.0	3.3	2.7	2.0	2.2	1.8
(M22)	23.0	23.5	23.0	39.0	39.0	38.2	3.0	3.3	2.7	2.0	2.2	1.8
M24	25.0	25.5	25.0	44.0	44.0	43.2	4.0	4.3	3.7	2.5	2.7	2.3
(M27)	28.0	28.5	28.0	50.0	50.0	49.2	4.0	4.3	3.7	2.5	2.7	2.3
M30	31.0	31.6	31.0	56.0	56.0	55.0	4.0	4.3	3.7	2.5	2.7	2.3
(M33)	34.0	34.6	34.0	60.0	60.0	59.0	5.0	5.6	4.4	3.0	3.3	2.7
M36	37.0	37.6	37.0	66.0	66.0	65.0	5.0	5.6	4.4	3.0	3.3	2.7
(M39)	40.0	40.6	40.0	72.0	72.0	71.0	6.0	6.6	5.4	3.0	3.3	2.7